

Come, Follow Me  
with  
*Living Scriptures*  
STREAMING

## Did Jesus Really Live Again?

Easter

### Objectives:

- Celebrate easter by remembering the Jesus Christ lives, and His importance in our lives today.

### Reinforces Principles of:

- Atonement
- Resurrection

---

## Reverence Time

---

**Song:** "Did Jesus Really Live Again?" Children's Songbook, page 64

<https://www.churchofjesuschrist.org/music/library/childrens-songbook/did-jesus-really-live-again>

---

**Scripture:** Doctrine & Covenants 76:22

"And now, after the many testimonies which have been given of him, this is the testimony, last of all, which we give of him: That he lives!"

---

**Video:** Watch this week's clip from the Living Scriptures Streaming Library. Find the clip at <https://www.livingscriptures.com/fhe-lesson-dceaster>

### Lesson

#### Summary:

Jesus Christ lives. Each Easter Sunday, we celebrate the resurrection of Jesus Christ. That means that after He had died, He rose again, and His perfected body was reunited with His spirit. As a testimony of His sacrifice for us, He still has the marks in his hands, feet, and side. Joseph Smith saw the risen Savior several times. Two of these experiences are recorded in the Doctrine & Covenants. Our prophet and the twelve apostles testify today of the risen Jesus Christ.

Because of Jesus Christ, we will be resurrected too. Knowing this brings us great comfort when our loved ones pass away. We know that death is not the end, and we can look forward to seeing our loved ones again.

Jesus sacrificed and suffered much for us to bring to pass the atonement. He loves us very much, and gave us a way to repent and return to live with Him again someday with our families. We can show our love for Him by keeping His commandments and teaching others about His love and sacrifice.

---

#### Quote:

*"This is what we celebrate on Easter Sunday—we celebrate life! Because of Jesus Christ, we will rise from the despair of death and embrace those we love, shedding tears of overwhelming joy and overflowing gratitude. Because of Jesus Christ, we will exist as eternal beings, worlds without end. Because of Jesus the Christ, our sins can not only be erased; they can be forgotten. We can become purified and exalted. Holy. Because of our beloved Savior, we can forever drink from the fountain of water that springs up into eternal life. We can dwell forever in the mansions of our eternal King, in unimaginable glory and perfect happiness." Dieter F. Uchtdorf*

---

#### Questions:

Why do we celebrate Easter?

How do we know that Jesus lived again after He was dead? (Discuss with your family the many people who are witnesses. Be sure to include the prophet Joseph Smith. Also discuss that through the Holy Ghost we can know for ourselves.)

Will we be resurrected after we die? (Yes)

How can the knowledge of the resurrection bring us comfort when a loved one passes away?

How can we share our testimonies of Jesus Christ with others?

**Description:** Read the lyrics from the Primary song DID JESUS REALLY LIVE AGAIN? and discuss the corresponding scriptures while building a mobile to help your children better understand the meaning and significance of the resurrection.

**What you need:**

- A copy of the “Easter Mobile” activity (If desired, print a copy for each of your children), scissors, glue, heavy card stock, ribbon, yarn, or string, and a small picture of your family (or each child).

**Preparation:**

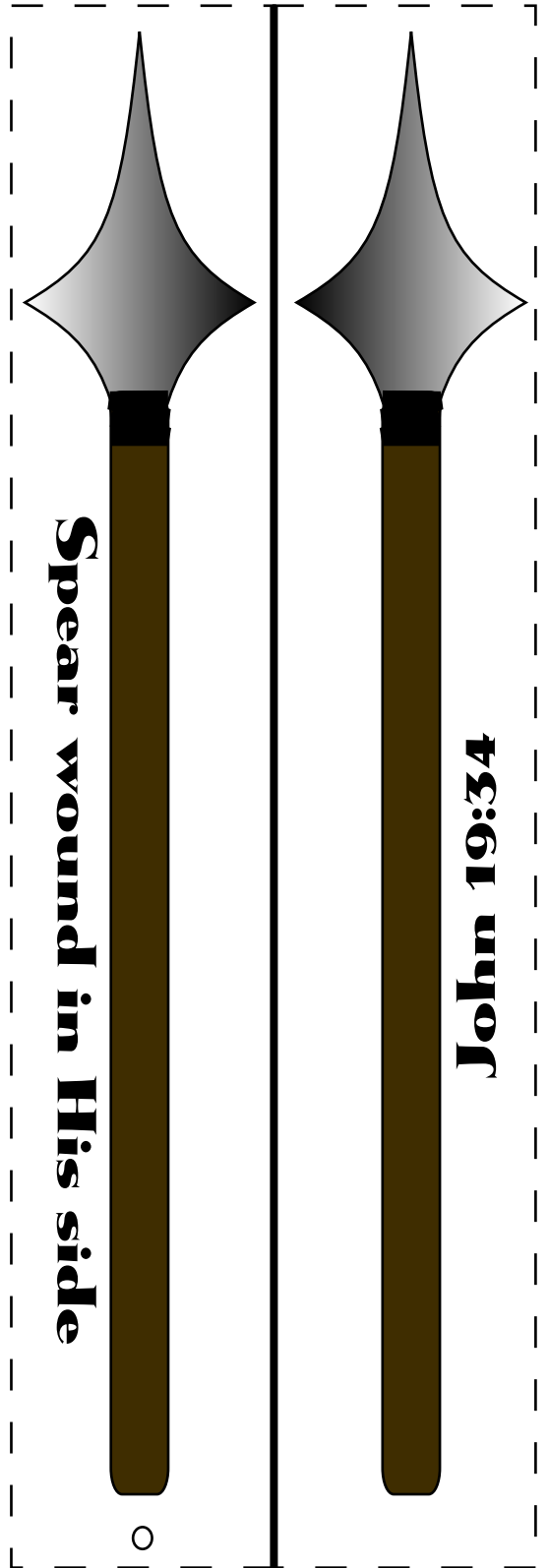
1. Print out the artwork.
2. Cut along dotted lines.
3. Glue a piece of card stock between the rectangles containing the question “Did Jesus Really Live Again?”.
4. Fold other shapes together along solid lines and glue in place.
5. Glue the picture to the star shape.
6. Punch a hole through each small black circle on the shapes to put ribbon through. (See image for placement.)

**Activity:**

To help children better understand the meaning and significance of the resurrection. Build a mobile while reading and discussing the scriptures and lyrics from the song “Did Jesus Really Live Again?”

1. Hold up the question and ask: Did Jesus Really Live Again? (Yes.)
2. Ask: How do we know? (By reading the scriptures.)
3. Read the song lyrics and corresponding scriptures one at a time and discuss.
4. Add the corresponding piece to your mobile as you go.
5. Share your testimony of the resurrection.
6. Finish by singing together the song “Did Jesus Really Live Again?”





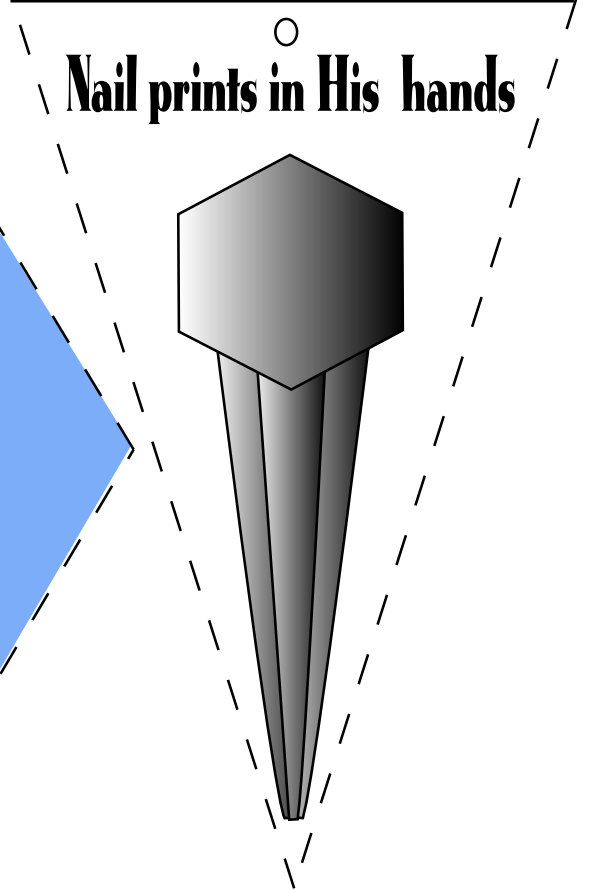
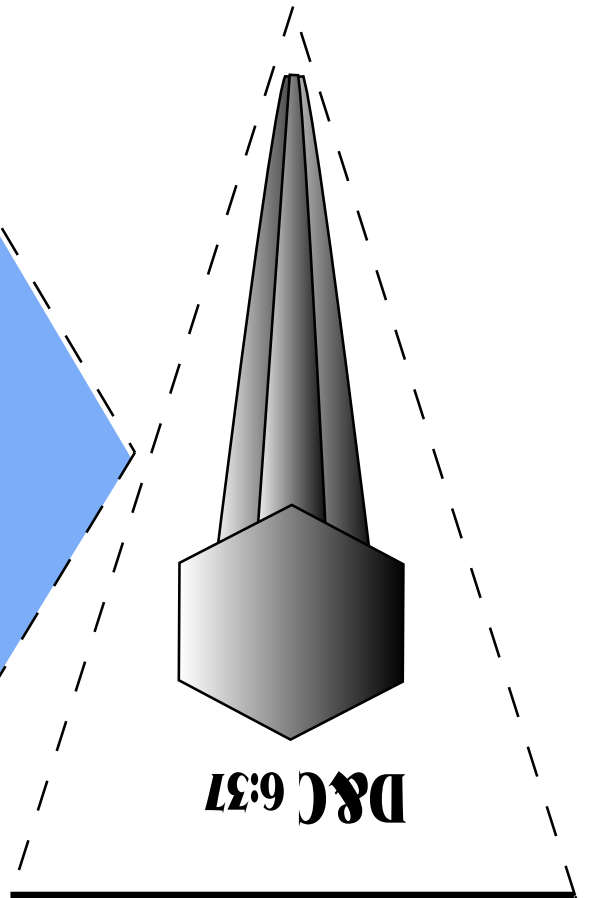
# Did Jesus Really Live Again?

Luke 24: 2-6



He  
wakened  
and he left  
the tomb

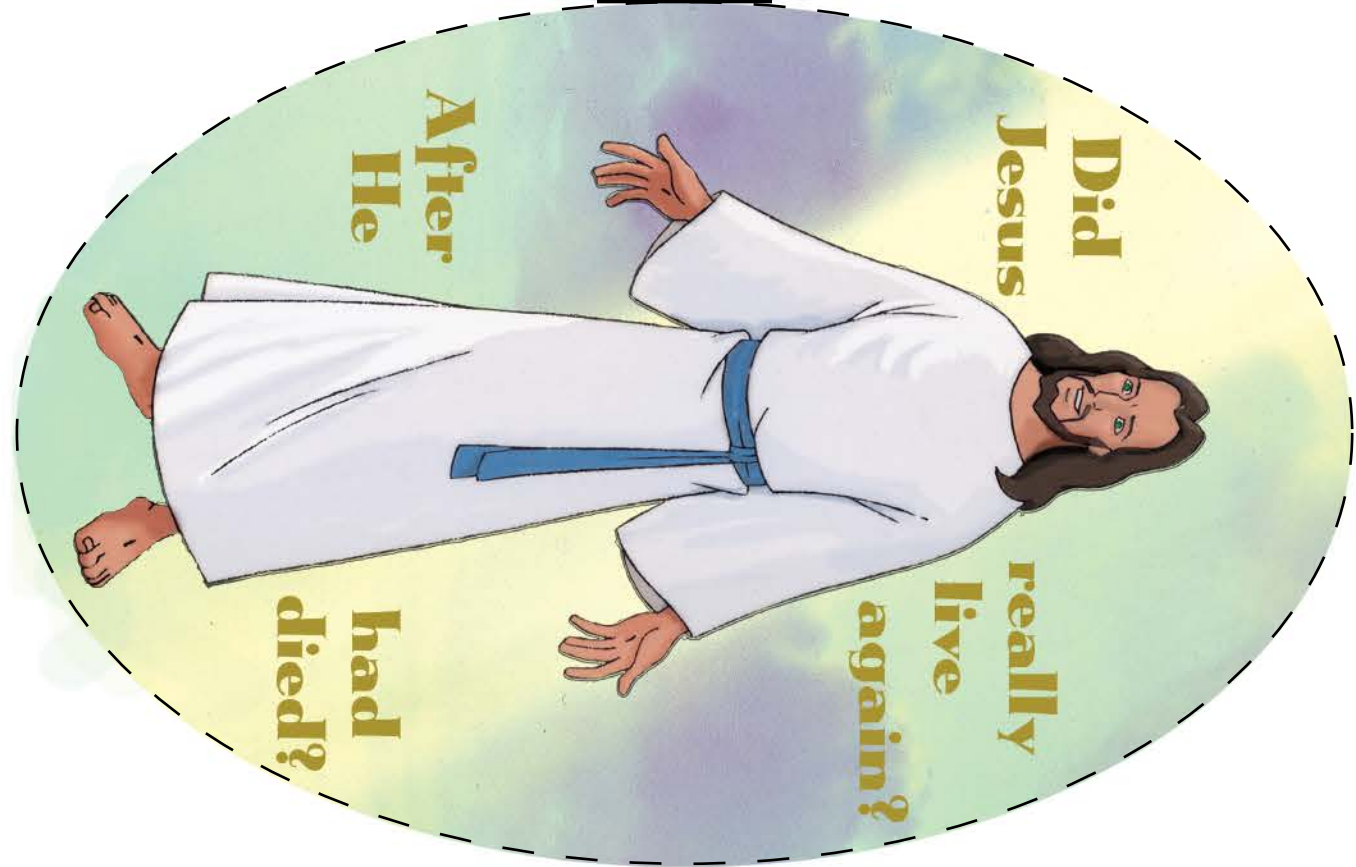




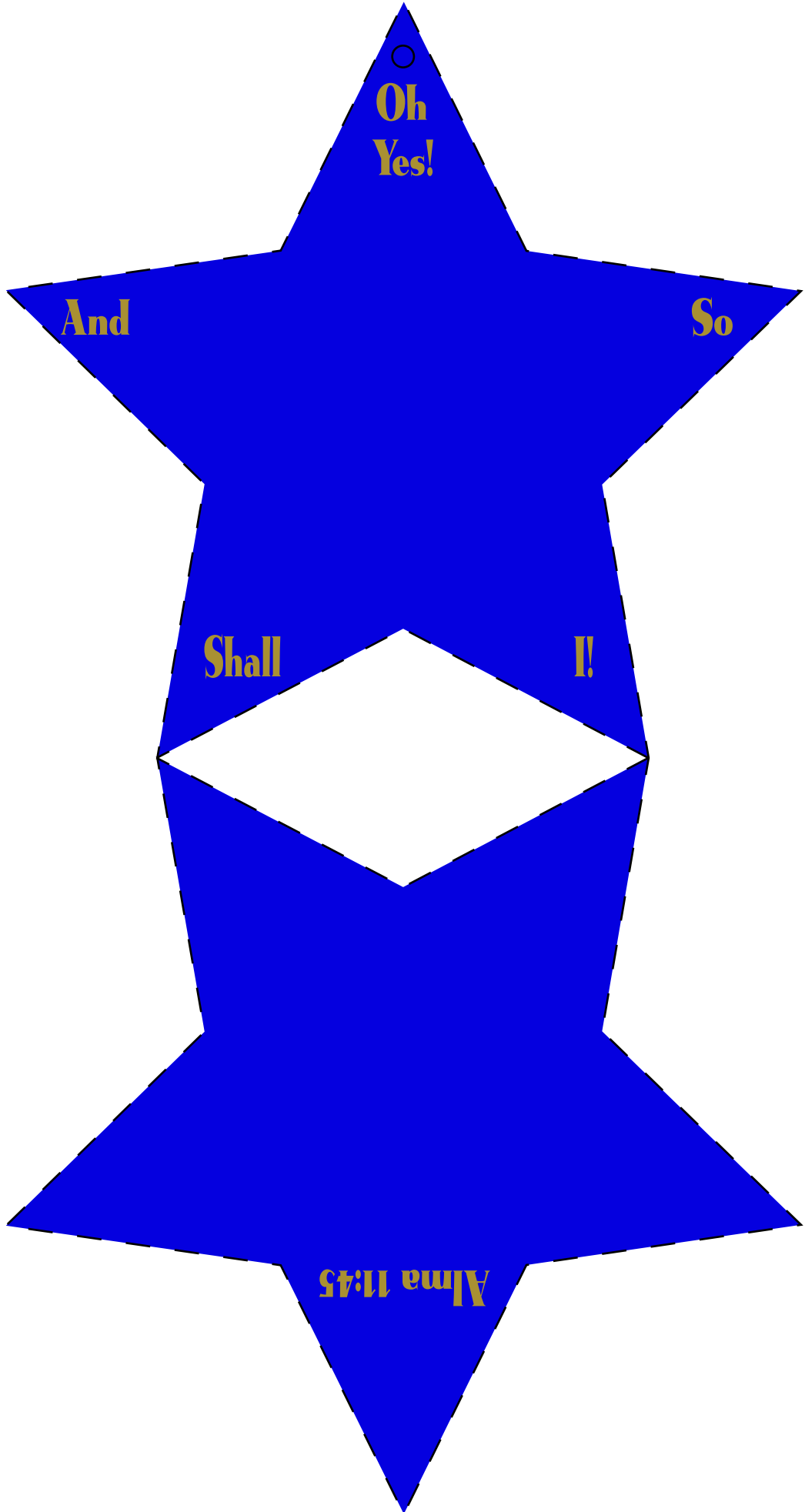




D&C 18:11-12



Did  
Jesus  
really  
live  
again?  
After  
He  
had  
died?



Did Jesus Really Live Again?



---

## Treat Time

## Candy "He is Risen" Stone

---

**Prep Time:** 5 minutes

**Ingredients:** 1 1/2 cups powdered sugar  
2 Tablespoons corn syrup  
1/4 teaspoon salt  
2 Tablespoons margarine (softened)  
1 teaspoon vanilla or almond extract  
2 drops red food coloring  
4 drops yellow food coloring  
1 drop blue food coloring  
Tooth picks



**Instructions:** Mix powdered sugar, corn syrup, salt, margarine, and extract together to make a soft pliable dough. Slowly add 1/4 - 1/3 cup more powdered sugar if needed to make dough less sticky. Add a few drops of water if dough feels dry. Mix the food coloring into the dough.

Treat Time: Give each family member a piece of the dough. Sculpt the dough into the shape of the stone that secured the sepulchre. Write "He Is Risen" on your stones with a tooth pick. Eat while still soft. If desired make extra stones with leftover dough and let dry for a few days until it turns to "stone".

"And, behold, there was a great earthquake: for the angel of the Lord descended from heaven, and came and rolled back the stone from the door, and sat upon it...And the angel answered and said unto the women, Fear not ye: for I know that ye seek Jesus, which was crucified. He is not here: for he is risen..."  
(Matt. 28:2, 5-6.)