

Description: Read the lyrics from the Primary song DID JESUS REALLY LIVE AGAIN? and discuss the corresponding scriptures while building a mobile to help your children better understand the meaning and significance of the resurrection.

What you need:

- A copy of the “Easter Mobile” activity (If desired, print a copy for each of your children), scissors, glue, heavy card stock, ribbon, yarn, or string, and a small picture of your family (or each child).

Preparation:

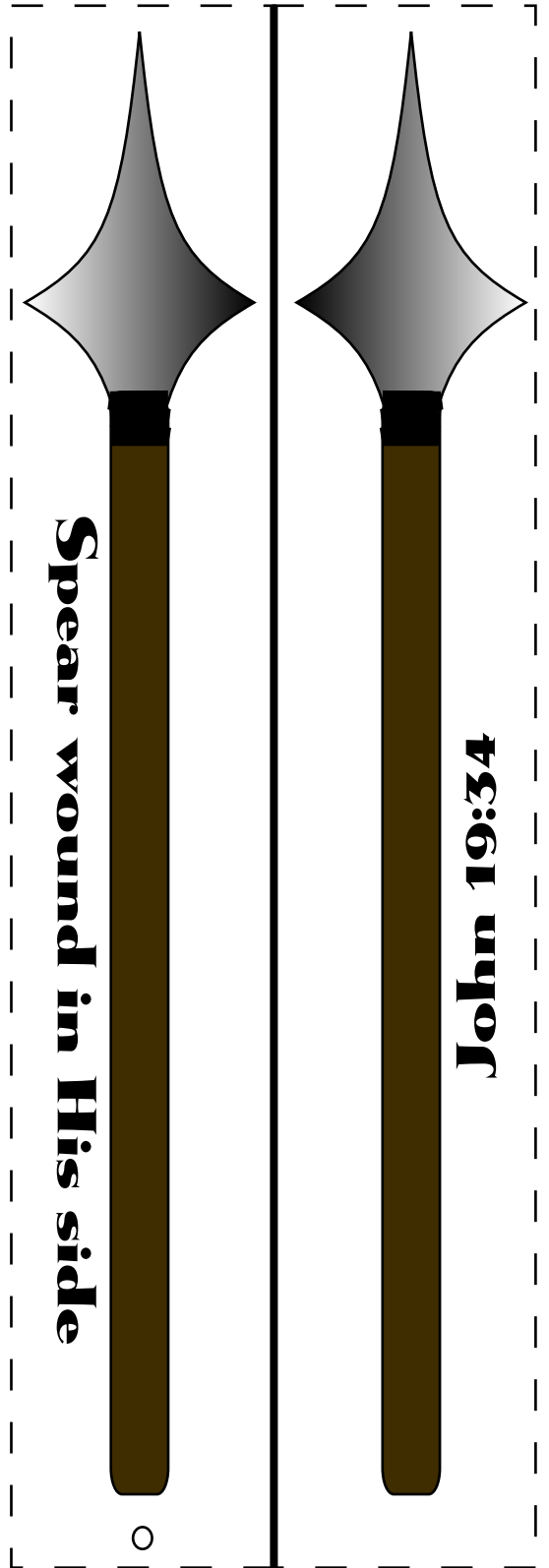
1. Print out the artwork.
2. Cut along dotted lines.
3. Glue a piece of card stock between the rectangles containing the question “Did Jesus Really Live Again?”.
4. Fold other shapes together along solid lines and glue in place.
5. Glue the picture to the star shape.
6. Punch a hole through each small black circle on the shapes to put ribbon through. (See image for placement.)

Activity:

To help children better understand the meaning and significance of the resurrection. Build a mobile while reading and discussing the scriptures and lyrics from the song “Did Jesus Really Live Again?”

1. Hold up the question and ask: Did Jesus Really Live Again? (Yes.)
2. Ask: How do we know? (By reading the scriptures.)
3. Read the song lyrics and corresponding scriptures one at a time and discuss.
4. Add the corresponding piece to your mobile as you go.
5. Share your testimony of the resurrection.
6. Finish by singing together the song “Did Jesus Really Live Again?”





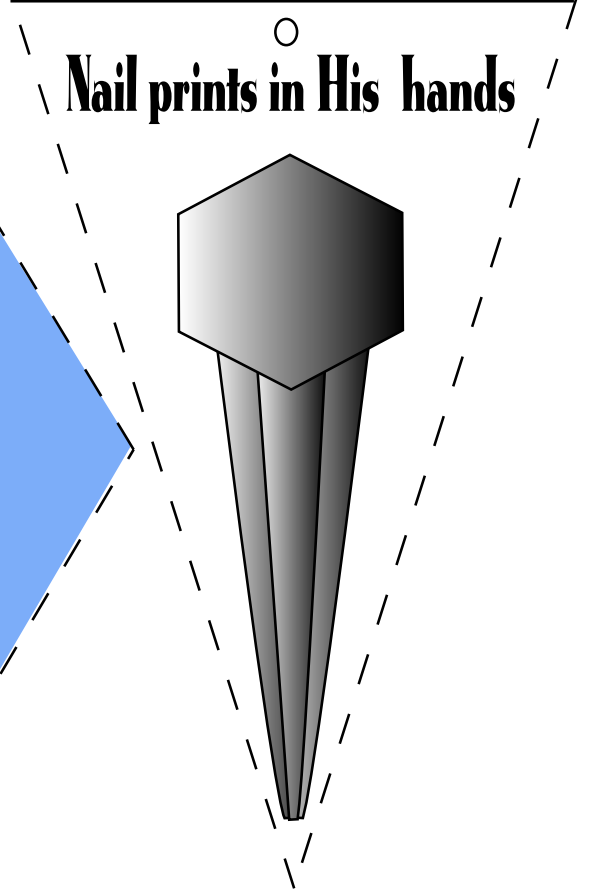
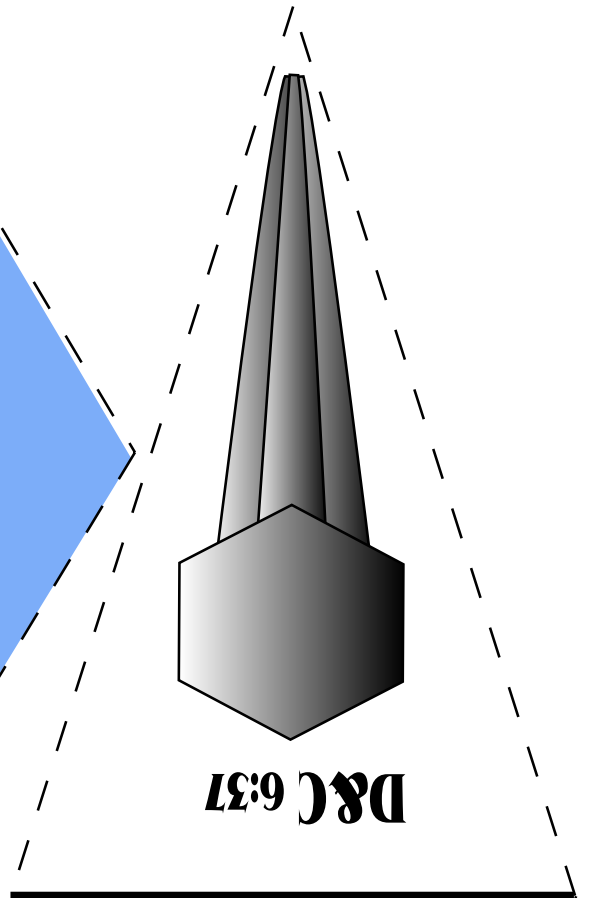
Did Jesus Really Live Again?

Luke 24: 2-6



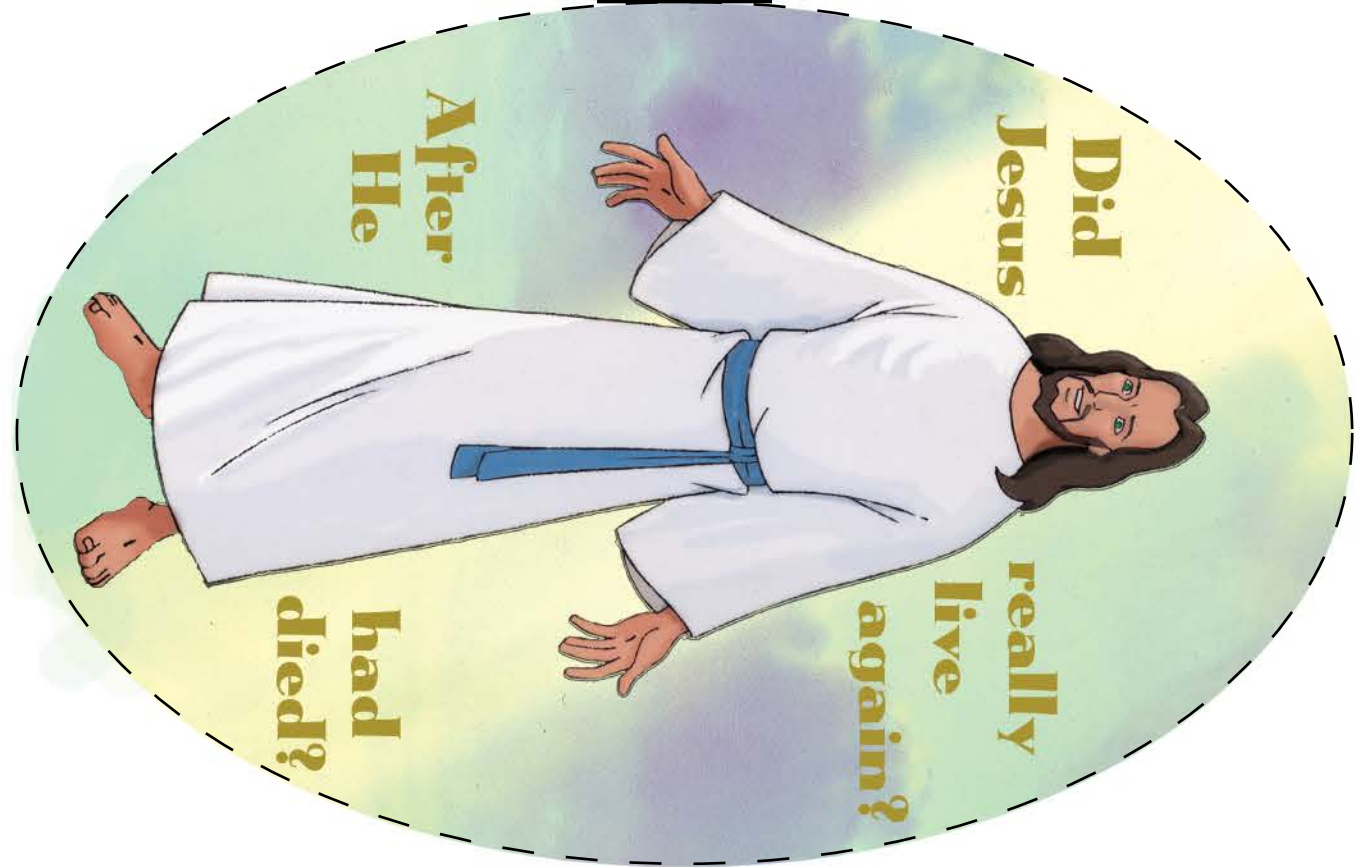
**He
wakened
and he left
the tomb**



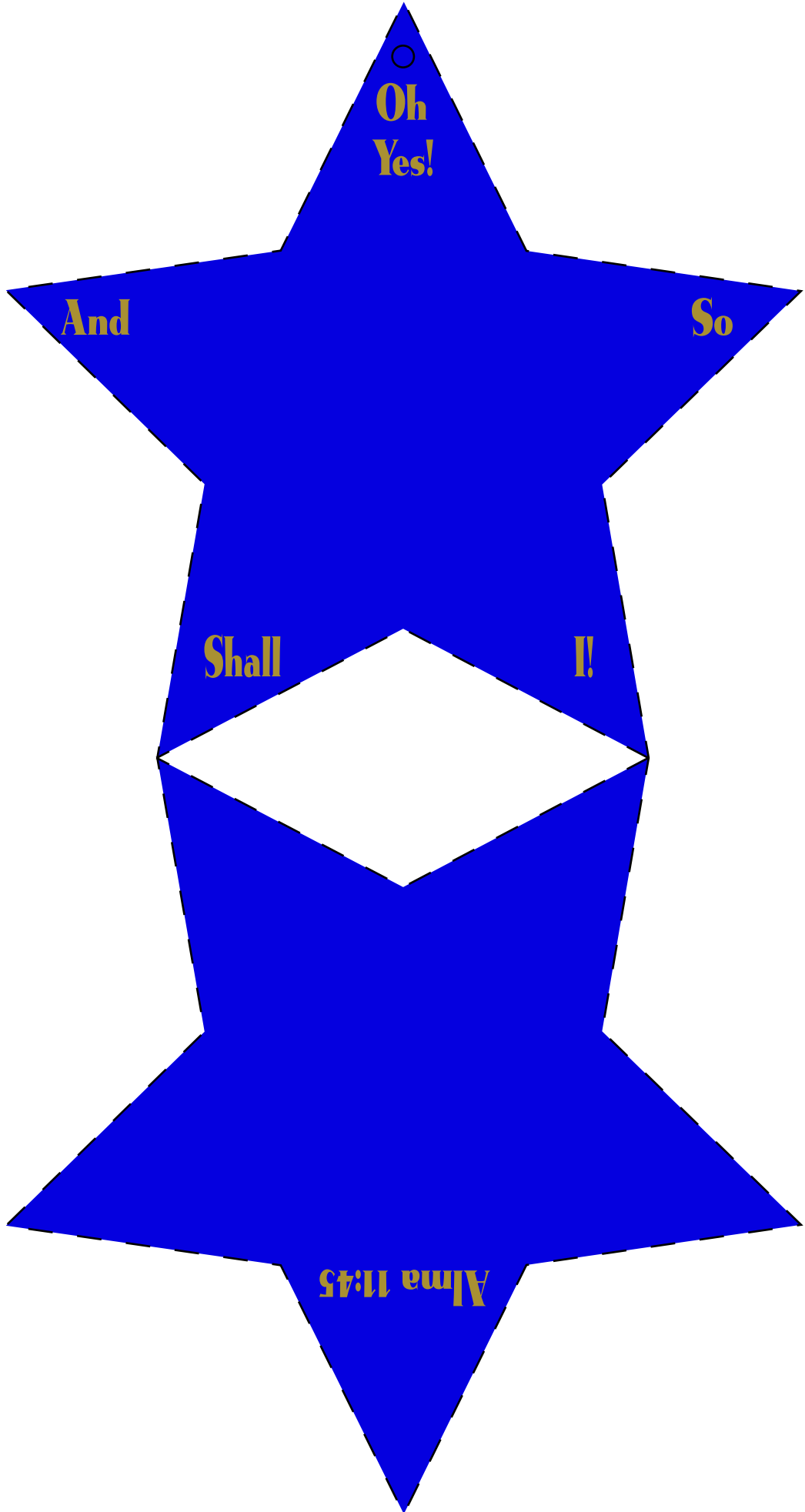




D&C 18:11-12



Did
Jesus
really
live
again?
After
He
had
died?



Did Jesus Really Live Again?