

NEW TESTAMENT 2019

Come Follow Me
with
Living Scriptures
STREAMING

Did Jesus Really Live Again?

Easter

Objectives:

- Emphasize the importance of the resurrection.
- Talk about how we will all be resurrected someday.

Reinforces Principles of:

- Resurrection

This Lesson contains 5 activities:

Choose the activities that fit your family's schedule.

Use on Mondays to introduce the topic, or the following Sunday to review.

Reverence Time: Song, prayer, scripture and video clip

Lesson Time: Lesson summary and points to ponder

Story Time: Story

Activity Time: Object lesson or activity

Treat Time: Prayer, theme related recipe & music video



Reverence Time

Approximate Time: 5 minutes

Sing Together: Children's Songbook #64, "Did Jesus Really Live Again"
If you wish to have an online music file to accompany you visit:
<https://www.lds.org/music/library/childrens-songbook/did-jesus-really-live-again>

Prayer:

Scripture Time: Luke 24: 39–40

39. Behold my hands and my feet, that it is I myself: handle me, and see; for a spirit hath not flesh and bones, as ye see me have.

40. And when he had thus spoken, he shewed them *his* hands and *his* feet.

Video Clip: Watch a clip from the Living Scriptures Streaming Library, *He is Risen* (The Dramatized New Testament). You can find the clip at <https://www.livingscriptures.com/did-jesus-really-live-again-2/>



Lesson Time

Approximate Time: 10-15 minutes

Lesson

Summary:

We all chose to follow God's plan when we were in the Premortal world. At that time Heavenly Father promised that He would provide us with a savior. Jesus Christ is our savior. He atoned for our sins, was crucified, and then after He died, He came alive again. This was the first resurrection.

Jesus came back to life after He died. Jesus is alive right now in heaven, and He will never die again. After we are resurrected we will live forever too.

Points to Ponder:

What does it mean to be resurrected? (When we die our spirit leaves our body. When we are resurrected the body is re-united with the spirit.)

Did Jesus really live again? (Yes.)

How do we know that Jesus lived again after He was dead? (Discuss with your family the many people who are witnesses. Be sure to include the prophet Joseph Smith. Also discuss that through the Holy Ghost we can know for ourselves.)

How many days did Jesus' body lay in the tomb? (Three.)

How did the disciples know that Jesus was resurrected and not just a spirit? (They touched Him.)

How can the knowledge of the resurrection bring us comfort when a loved one passes away?

We will all be resurrected, but what do we need to do in order to be an eternal family and live with Heavenly Father and Jesus again, once we are resurrected? (Be sealed in the temple, keep the commandments, etc.)

Quote:

“To all who have lost loved ones, we would turn Job's question to an answer: If a man die, he shall live again... Through tears and trials, through fears and sorrows, through the heartache and loneliness of losing loved ones, there is assurance that life is everlasting... He became the firstfruits of the Resurrection. Because He died, all shall live again.”

Thomas S. Monson



Story Time

Approximate Time: 2 minutes

Five-year-old Becky rummaged through her closet and her drawers for her winter mittens, but couldn't find them. She then searched under the bed and even her toy chest, but they were nowhere to be found.

Becky found mother in her sewing room.

“Mommy, I've looked everywhere for my mittens and I can't find them!”

Mother looked up from the sewing machine and then held up the dainty pink dress she had just finished making for Becky to wear to her kindergarten graduation. “I don't think your winter mittens will go with this do you?”

Becky laughed. “No! You're silly Mommy!”

Mother smiled. “I think you're silly!” she said. “Why would you be looking for your winter mittens? It's eighty degrees outside!”

“I'm not going to wear them outside!” Becky exclaimed. “Sarah's coming over and we're going to play primary. *I'm* going to be Sister Wallace.”

“And Sister *Wallace* wears winter mittens when she teaches primary?” Mother asked.

“No-oooo!” Becky said with a giggle, while picturing Sister Wallace holding her scriptures with winter mittens on. “I'm giving the resurrection lesson and I don't have gloves. I going to pretend my mittens are gloves!”

“Oh! I see!” Mother said, “But, the winter mittens and hats have all been boxed up for the summer I can help you out though. Try on your dress and I'll be right back.”

Mother went to her bedroom and removed a small box tied with satin ribbon from her dresser drawer and took it with her back into the sewing room.

“Oh, my! You look beautiful!” Mother announced at the site of her five year old in her new dress. “Do you like it?”

Becky smiled and ran to give her mom a hug. “I love it! Thank you, Mommy!”

“Do you think these will go with your new dress *and* your primary lesson?” Mother said, handing the box to Becky.

Becky untied the ribbon that held the box closed and peered inside. Looking up at her Mother as she removed a pair of white dressy gloves with little pearl buttons from the bag. “These are really for me?” she asked.

Mother nodded. “I was saving them to give you on your graduation day resurrection lesson than your big, black, bulky mittens. Don't you?”

Becky nodded excitedly as she slipped her tiny hands into the gloves. “They fit perfect!”

“Just like your beautiful body perfectly fits your beautiful soul!”

Becky held up one of her hands and wiggled her fingers. “Our soul is like my hand. It' body move.” Becky carefully removed the glove from her hand and gently placed it in the silk lined box.

“When we die our soul leaves our body and we get buried,” she said while placing the lid back on the box. Becky once again held up her hand and wiggled her fingers, “Our soul is still alive and goes to Heaven.” She continued, “Jesus and Heavenly Father love us so much, that Jesus suf cross for us.”

Tears glistened in Mother's eyes as she watched and listened to her precious daughter.

Becky held up three fingers. “Three days after Jesus died, He was resurrected. resurrected, too!” Becky opened the box and put the glove back on her hand and wiggled her fingers. Becky then folded her arms before continuing, “I bury my testimony that it is true! Name of Jesus Christ. Amen.”

“Amen!” Mother repeated before giving Becky a giant hug. “I don' explained to me more beautifully,” Mother exclaimed looking into Becky's eyes. “Next Monday is *Memorial* Day and I think it would be perfect, if you would teach our for Family Home Evening! Would you do that for me?”

“Okay, Mommy!” Becky said with a big grin, “If *you'll* make the treats!”

by Margie Nauta Lee © 2007 Living Scriptures, Inc.



Activity Time

Approximate time: 20 minutes

What you need: A copy of the “Did Jesus Really Live Again?” activity (If desired, print a copy for each of your children), scissors, glue, heavy card stock, ribbon, yarn, or string, and a small picture of your family (or each child).

Preparation

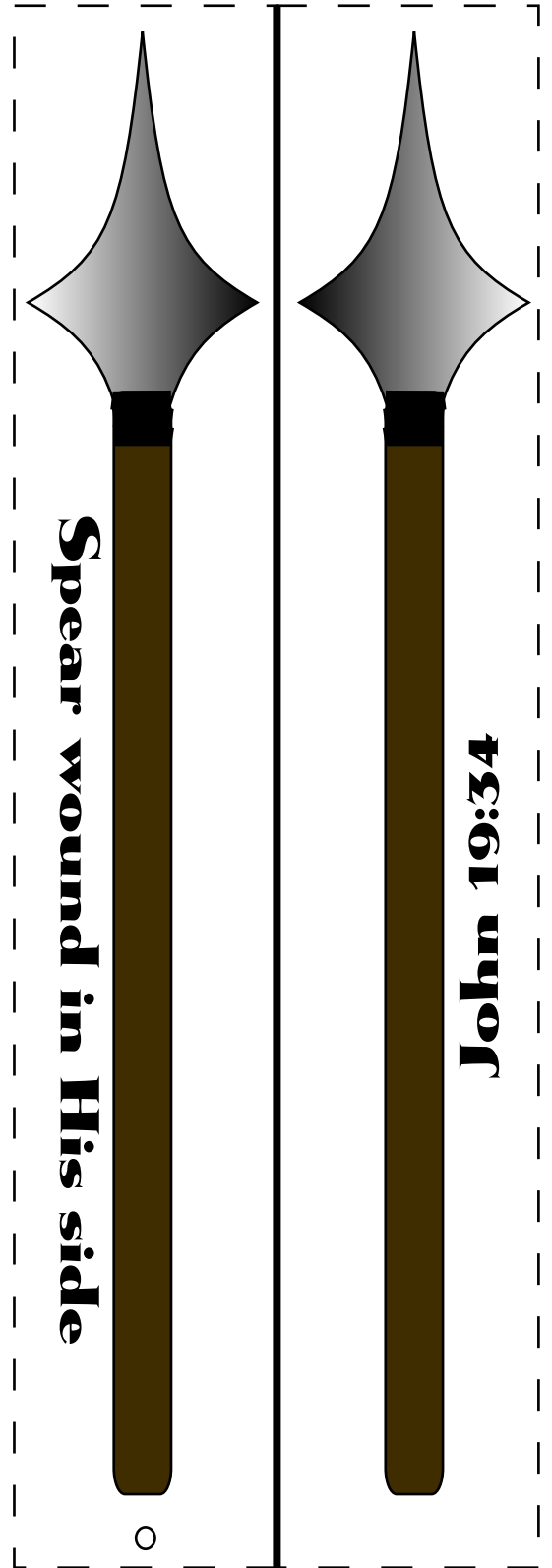
1. Print out the artwork.
2. Cut along dotted lines.
3. Glue a piece of card stock between the rectangles containing the question “Did Jesus Really Live Again?”.
3. Fold other shapes together along solid lines and glue in place.
4. Glue the picture to the star shape.
5. Punch a hole through each small black circle on the shapes to put ribbon through. (See image for placement.)

Activity:

To help children better understand the meaning and significance of the resurrection. Build a mobile while reading and discussing the scriptures and lyrics from the song “Did Jesus Really Live Again?”



1. Hold up the question and ask: Did Jesus Really Live Again? (Yes.)
2. Ask: How do we know? (By reading the scriptures.)
3. Read the song lyrics and corresponding scriptures one at a time and discuss.
4. Add the corresponding piece to your mobile as you go.
5. Share your testimony of the resurrection.
6. Finish by singing together the song “Did Jesus Really Live Again?” .



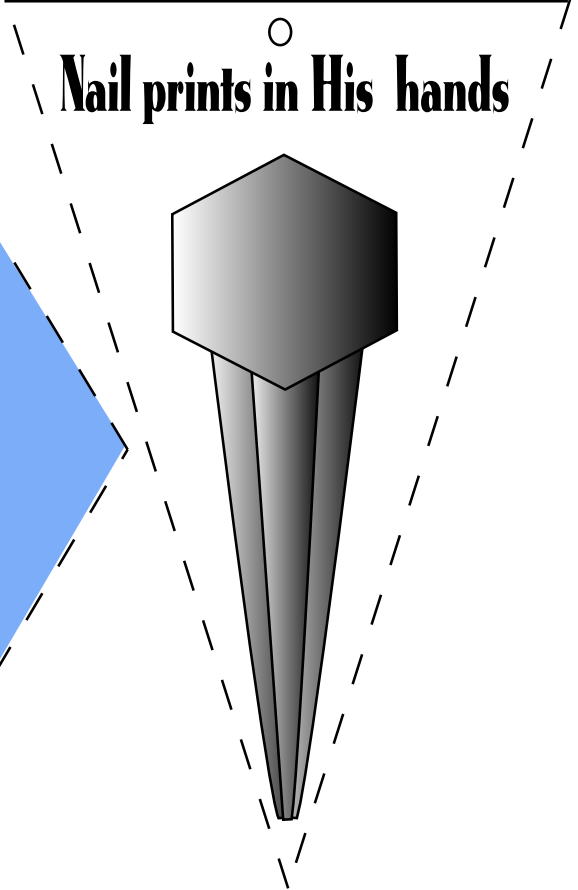
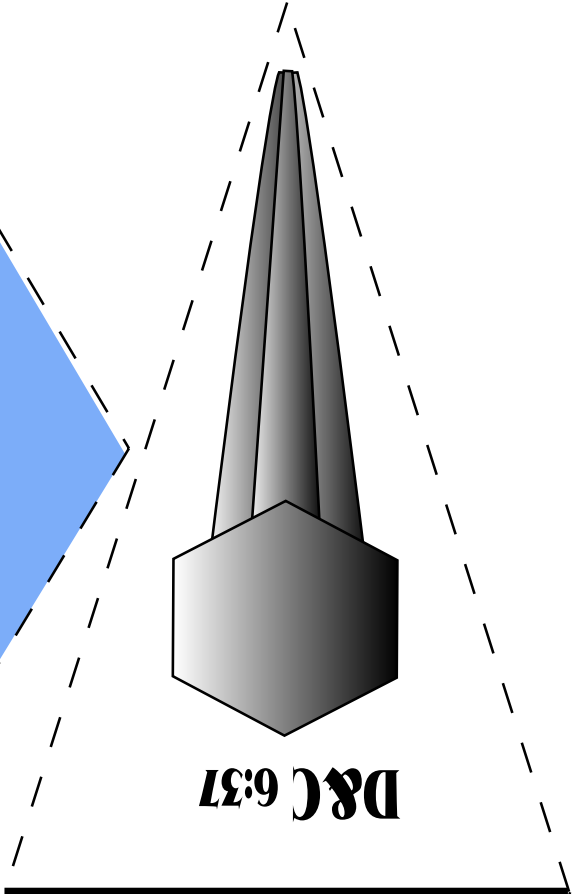
Did Jesus Really Live Again?

Luke 24: 2-6



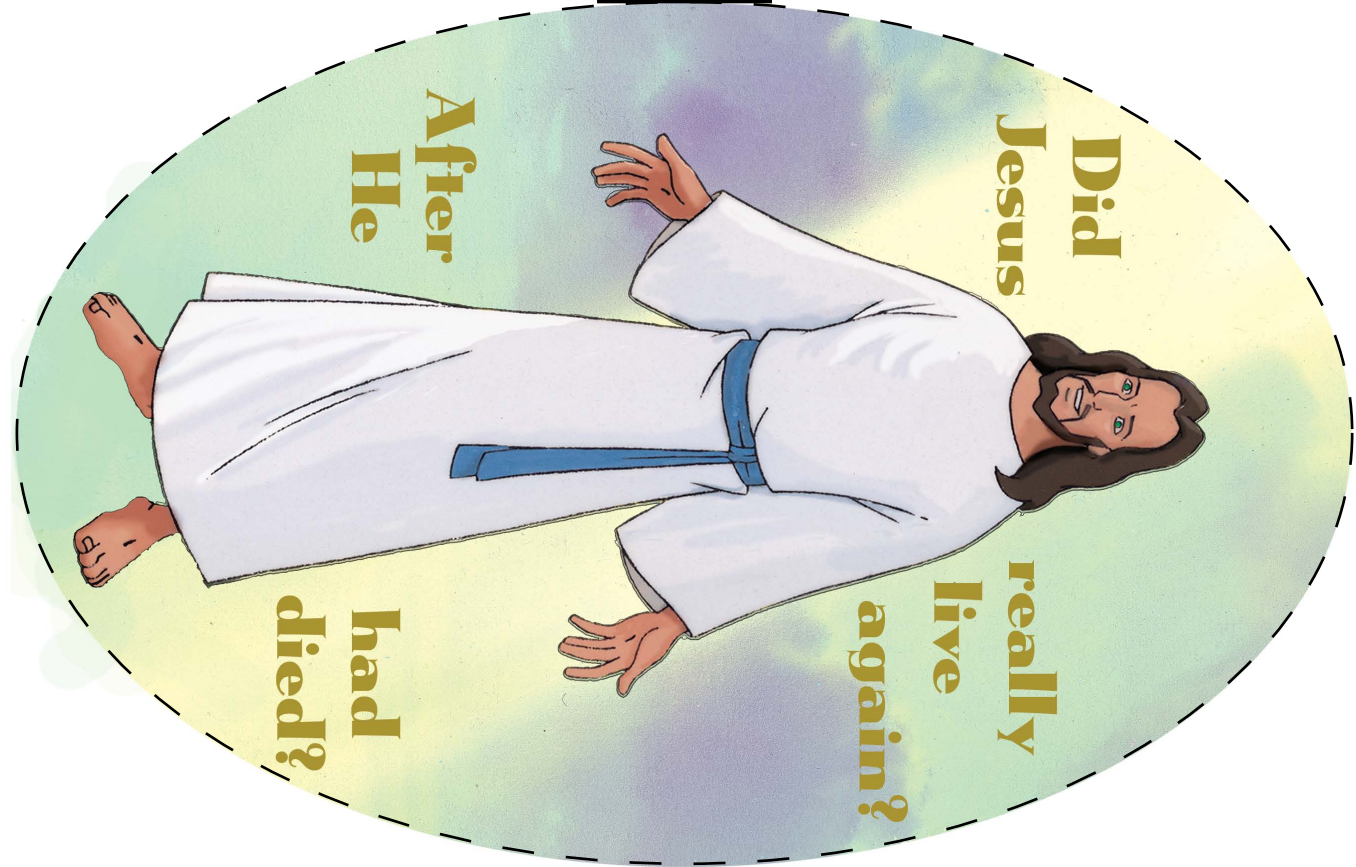
**He
wakened
and he left
the tomb**







D&C 18:11-12

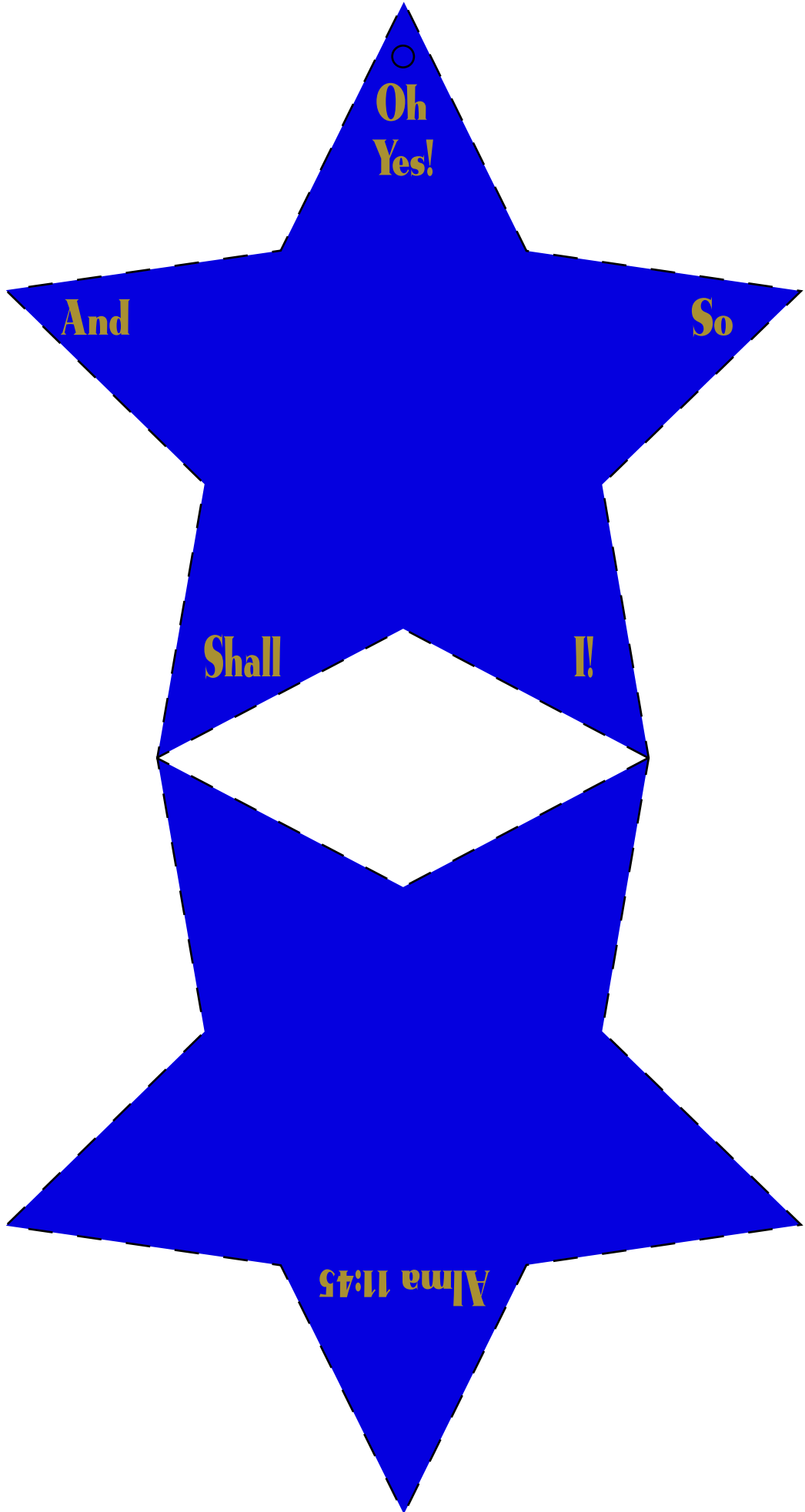


**Did
Jesus**

**really
live
again?**

**After
He**

**had
died?**



Did Jesus Really Live Again?



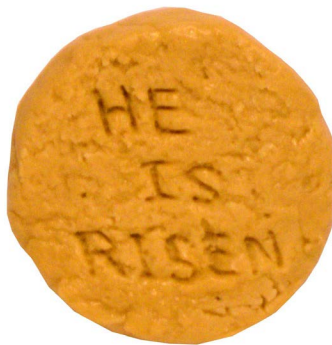
Treat Time

Approximate Time: 10 minutes

Prep Time: 5 minutes

Candy “He is Risen” Stone

1 1/2 cups powdered sugar
2 Tablespoons corn syrup
1/4 teaspoon salt
2 Tablespoons margarine (softened)
1 teaspoon vanilla or almond extract
2 drops red food coloring
4 drops yellow food coloring
1 drop blue food coloring
Tooth picks



Mix powdered sugar, corn syrup, salt, margarine, and extract together to make a soft pliable dough. Slowly add 1/4 – 1/3 cup more powdered sugar if needed to make dough less sticky dough feels dry. Mix the food coloring into the dough.

Treat Time: Give each family member a piece of the dough. Sculpt the dough into the shape of the stone that secured the sepulchre. Write “He Is Risen” on your stones with a tooth pick. Eat while still soft. If desired make extra stones with leftover dough and let dry for a few days until it turns to “stone”.

“And, behold, there was a great earthquake: for the angel of the Lord descended from heaven, and came and rolled back the stone from the door, and sat upon it...And the angel answered and said unto the women, Fear not ye: for I know that ye seek Jesus, which was crucified. He is not here: for he is risen...” (Matt. 28:2, 5-6.)

Closing Prayer and blessing on the food.